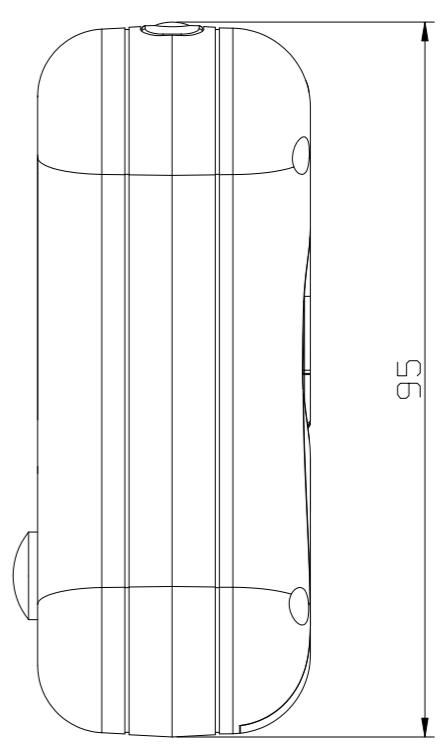
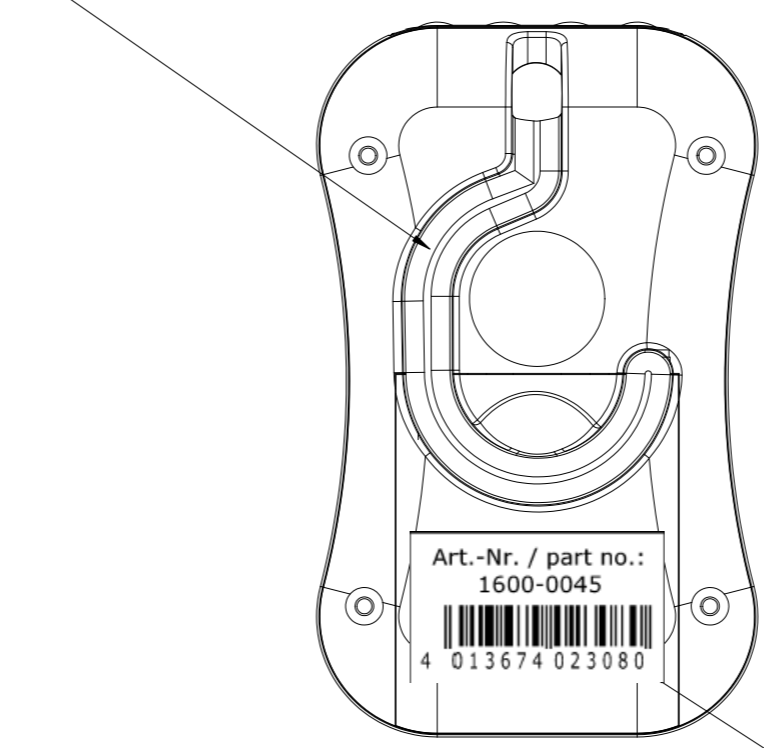
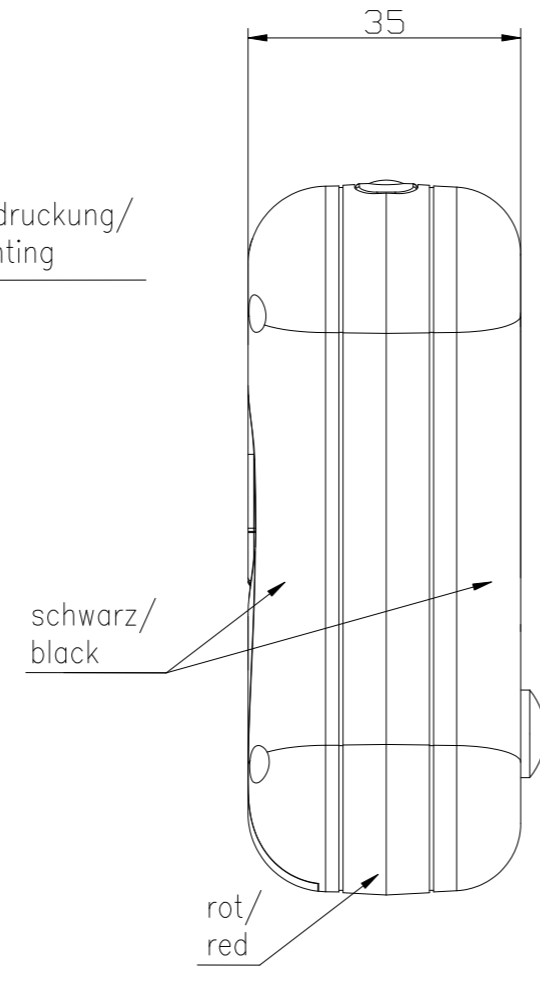
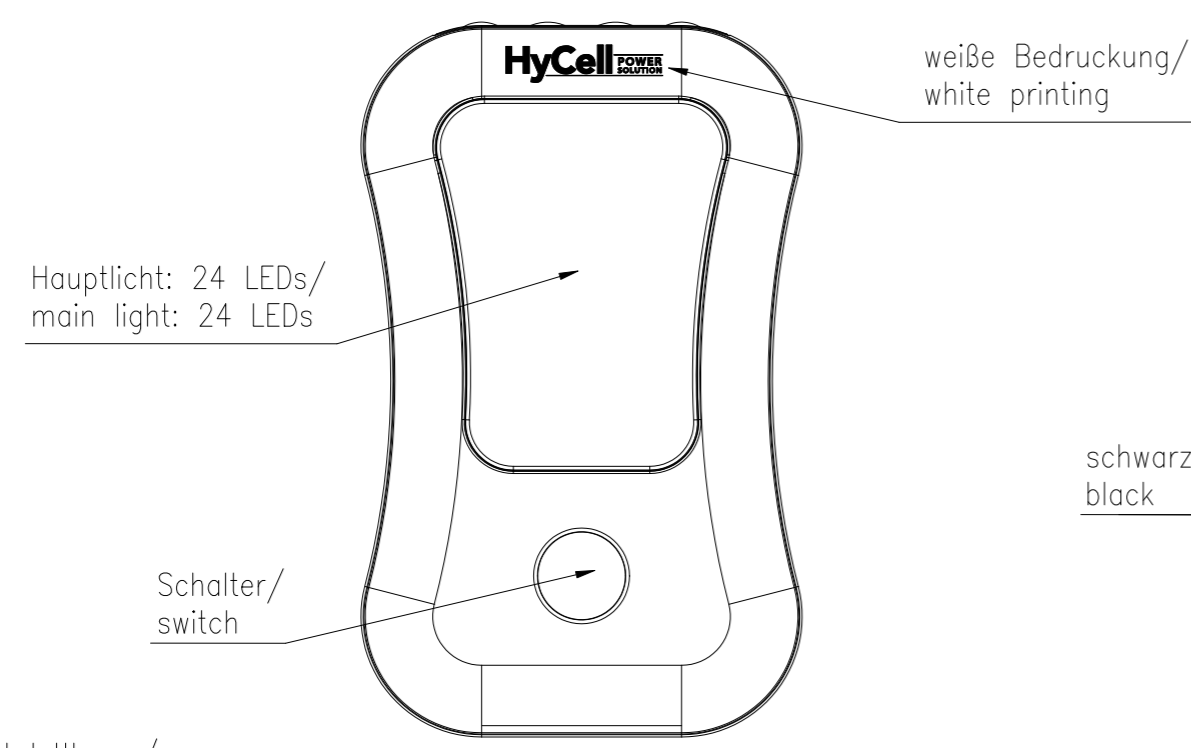
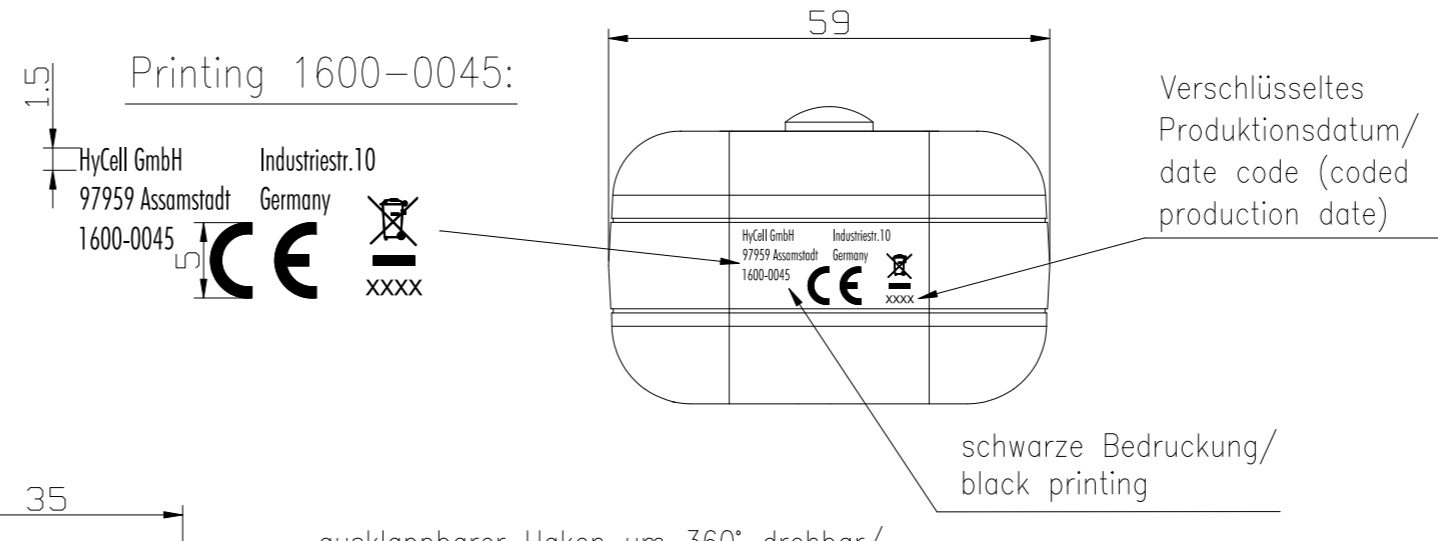
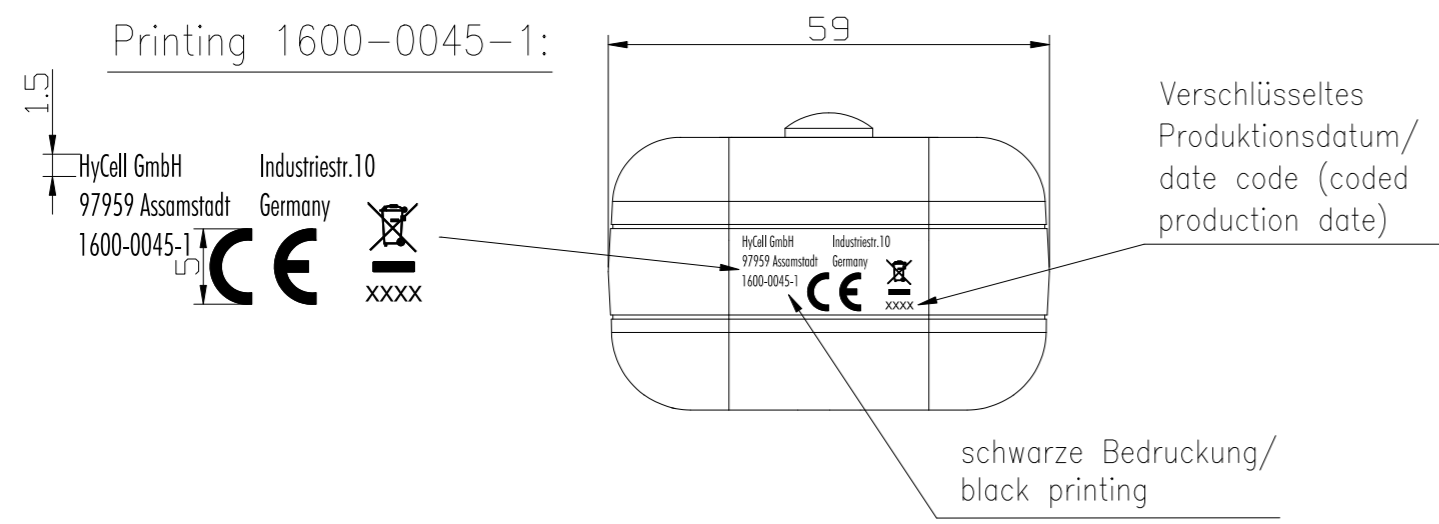
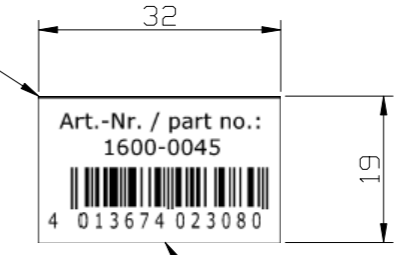


The supplier acknowledges that, with the acceptance of the drawings, he is in a position to manufacture the illustrated part in accordance with the drawings in reproducible form and series production. Through the selected manufacturing processes no impairments will arise in the material and structure which could subsequently lead to an impairment of the component. Verbal agreements over and above that are not valid. Deviations from this rule must be written and must be signed by the purchaser.



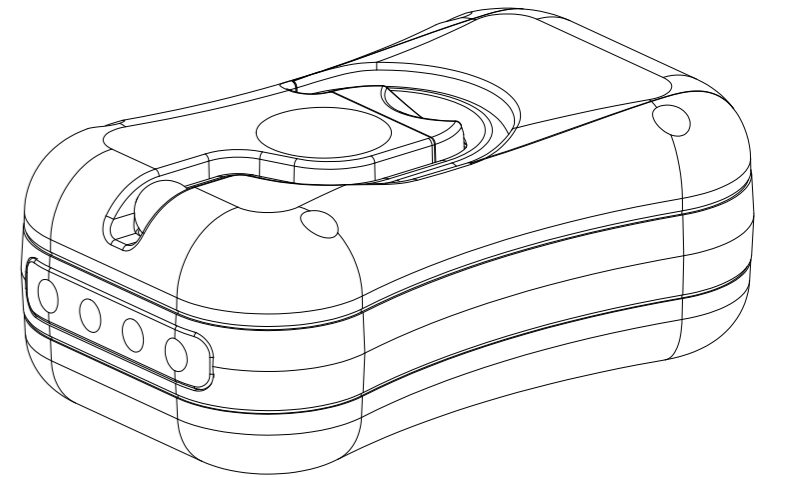
Technische Daten Werkstattlampe/
technical data workinglamp

- Leuchtmittel/
illuminant : 28 white LEDs
- Leuchtdauer/
run time : ca./approx. 10 Stunden/hours (volle Leistung/high power)
ca./approx. 50 Stunden/hours (stirnseitige LED/front LED)
- Leuchtweite/
beam distance : 30 m (volle Leistung/high power)
- Lichtstrom/
light output (luminous flux) : 45 lm (volle Leistung/high power)
- Beleuchtungsstärke/
illuminance (1m) : 370 Lux (volle Leistung/high power)
- Batterie/
battery : 3x HyCell Micro AAA Zink Kohle Batterien, im Lieferumfang enthalten/
3x HyCell Micro AAA Super-Heavy-Duty batteries, included
- Schalterfunktion/
switch function : 1: volle Leistung Hauptlicht / full power main light
2: aus / off
3: stirnseitige LED / front LED
3: aus / off
- weitere Funktionen/
further functions : - Magnet auf der Rückseite / magnet on the back side
- ausklappbarer Haken um 360° drehbar / fold-out hook 360° turnable
- Betriebstemperatur/
operating temperature : -20°C.....+25°C
- Lagertemperatur/
storage temperature : -20°C.....+25°C (xx year),
-20°C.....+xx°C (xx months),
-20°C.....+xx°C (xx month)
- Schutzart / protection : IP20
- Abprobationen/
approvals : CE
- Gewicht/
weight : 64.5g ohne Batterien / without batteries
- Verpackung/
packaging : 1600-0045 Display mit 12 Werkstattleuchten/
1600-0045 display with 12 workinglamps
1600-0045-1 Blisterverpackt/
1600-0045-1 blister shell



Sticker 1600-0045:

weißer Sticker mit schwarzer Bedruckung/
white sticker with black printing



Application range for inquiry		Allowable deviation general tolerances		Surface	Model:	Material:	
		DIN ISO 2768-m			Scale (DIN A2): 1:1	All dimensions in mm	
		2015		Date	Name		
		Drawn by		16.01.	CB		
		Approved by					
		V1		printing updated	11.08.15	CB	
		V1		printing updated	16.06.15	CB	
		V1		blister version added	17.03.15	CB	
		V0		---	16.01.15	CB	
Version	Change	Date	Name	Project: xx-xxxx-xxxxx		Replaced by:	
				Replacemen through:			
Drawing name					HyCell Workinglamp 2in1		
Drawing number					1600-0045		Sheet
Part number					1600-0045-1		1/1

This drawing may not be copied, reproduced or made available to third parties in any way without the written or graphic approval.